

PHTRIM-36C, PHTRIM-48C, PHTRIM-60C, PHTRIM-72C
Models: MEZZO-C Series, CRAVE-C Series, ECHELON-C Series
Passive Heat Trim Kit Installation Instructions



Leave this manual with party responsible for use and operation.

CAUTION! Risk of Cuts, Abrasions or Flying Debris.
 Wear protective gloves and safety glasses during installation. Sheet metal edges are sharp.

CAUTION! Do not install damaged components.
 If any parts are missing or damaged, contact your dealer before starting installation. **DO NOT** install a damaged kit.

DANGER

HOT GLASS WILL
CAUSE BURNS.

DO NOT TOUCH GLASS
UNTIL COOLED.

NEVER ALLOW CHILDREN
TO TOUCH GLASS.

A barrier designed to reduce the risk of burns from the hot viewing glass is provided with this appliance and shall be installed for the protection of children and other at-risk individuals.

WARNING! Risk of Fire!

- Combustible materials **MUST NOT** overlap or be placed behind a decorative front.
- **DO NOT** apply combustible materials beyond the minimum clearances. Comply with all minimum clearances to combustibles as specified. Overlapping materials could ignite and will interfere with proper operation of decorative fronts.

Introduction

This trim kit is used with the Passive Heat Front Discharge (PH-FRT) Heat Management System, which conveys warm air from the fireplace into the same room through a front discharge. Installation of the Passive Heat kit must be done in conjunction with the appliance installation. Follow instructions included with the PH-FRT kit to complete installation of the Passive Heat system. Installation of this kit **MUST** be performed by a qualified service technician.

WARNING! Risk of Fire! DO NOT install the Passive Heat system with models that are not approved. Overheating will occur.

Kit Contents

Verify and remove contents from packaging before beginning installation.

- (1) Vent Cover
- (1) Vent Back Plate
- (10) 2 Inch Drywall Screws

Installation

1. Locate hand bends on the vent back plate as shown in Figure 1. Use a screwdriver to bend them outward. The number of hand bends may vary by appliance size.

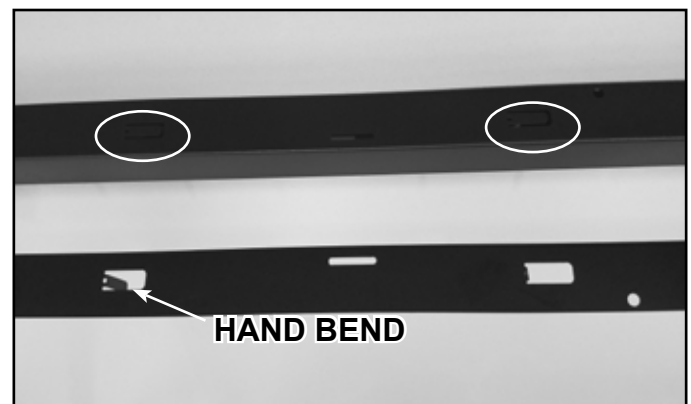


Figure 1 Back Plate Hand Bends

2. Install the vent back plate with the bends oriented toward the wall and the longest bend on top as shown in Figure 4.
3. Attach the vent back plate to the wall using the drywall screws provided. See Figures 2 and 5.
4. Secure the inside bends to the framing using two drywall screws as shown in Figure 5.
5. Attach the vent cover to the vent back plate by lining up the hooks of the vent cover plate to the slots on the vent back plate. Slide cover to engage hooks. See Figure 2 (front view) and Figure 3 (rear view).

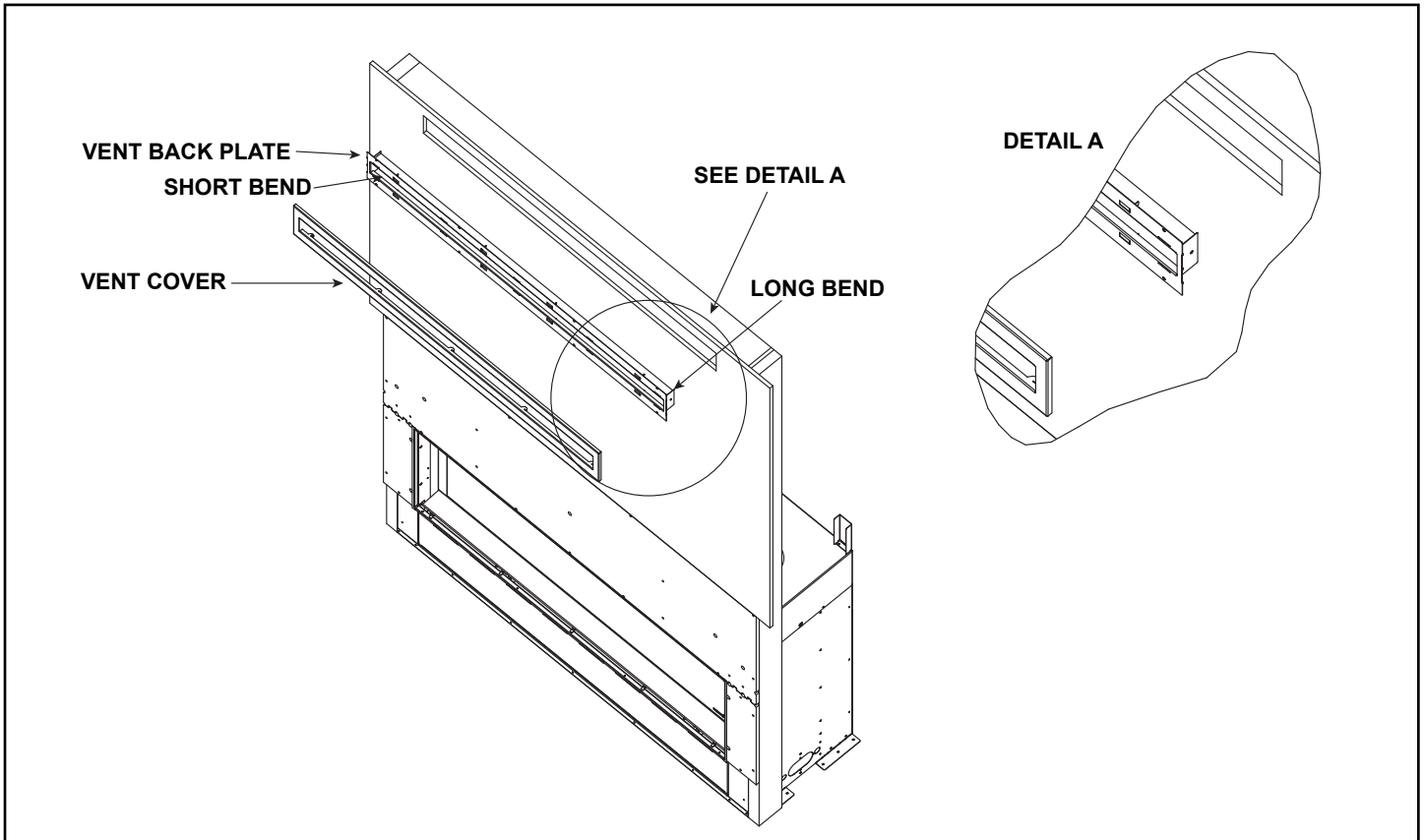


Figure 2 Orientation of Back Plate Bends

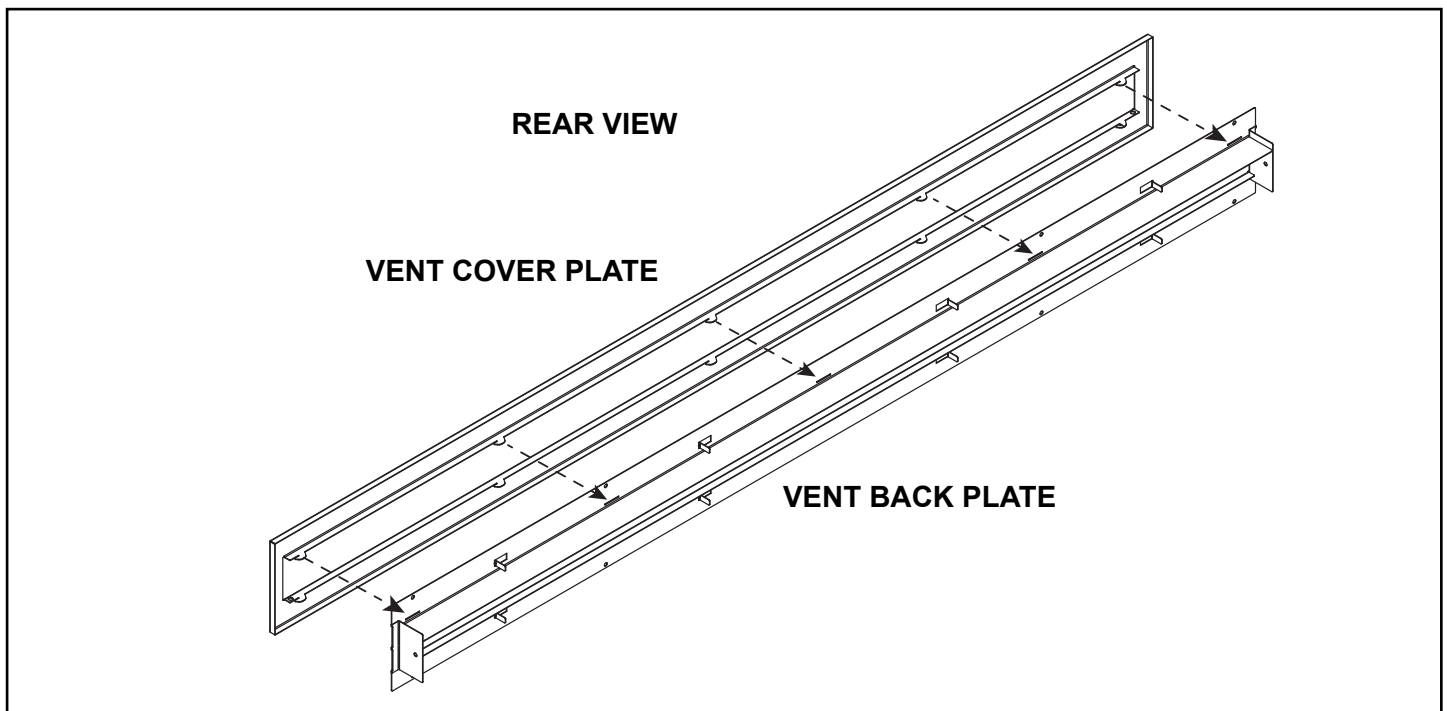


Figure 3 Attach Vent Cover to Vent Back Plate - Rear View

Maintenance

Service and maintain the gas fireplace per instructions. Keep the air register(s) clean and free of any blockage.

NOTICE: The location of the Passive Heat discharge opening could allow for venting and other construction materials to be visible. It is acceptable to paint the vent pipe and other construction materials using a high temperature paint with a minimum of 300 °F continuous exposure rating. Hearth & Home Technologies recommends using black touch up paint (part number TUP-GBK-12) available from your Hearth & Home Technologies dealer.

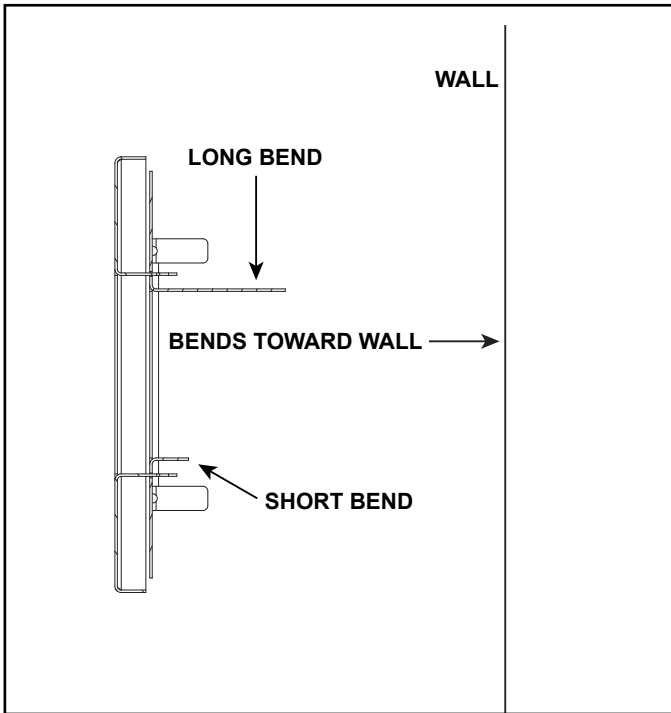


Figure 4 Vent Back Plate Orientation

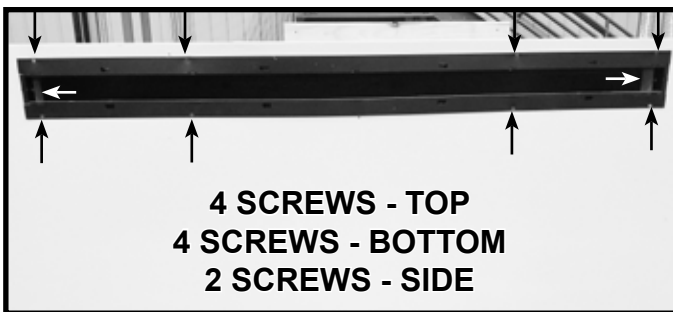


Figure 5 Attach Back Plate to Wall



Figure 6 Vent Cover Installed

Please contact your Hearth & Home Technologies dealer with any questions or concerns. For the location of your nearest Hearth & Home Technologies dealer, please visit www.hearthnhome.com.

Hearth & Home Technologies
7571 215th Street West, Lakeville, MN 55044
www.hearthnhome.com